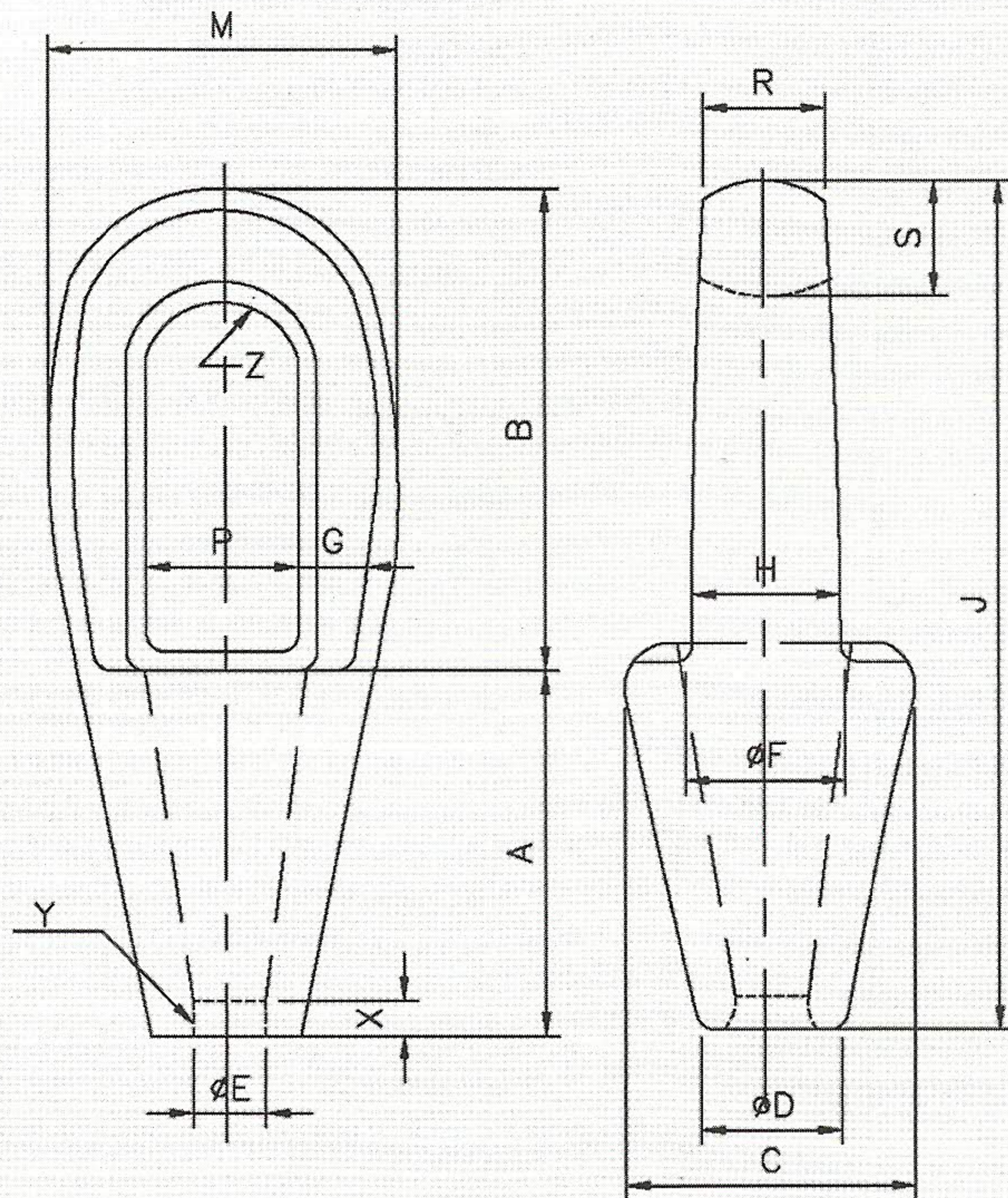


# Closed SPELTER SOCKETS



Dimensions of Closed Type Spelter Sockets

Nominal Size mm	A	B	C	D Dia	E Dia	F Dia	G Mts	H	J	M Dia	P	R	S	X	Y Rad	Z Rad	Proof Load kn	Maximum Working Load kn
8	44	15	15	15	10	15	7	15	94	35	20	10	10	4	1	10	15	7.5
10	50	65	40	20	12	20	10	20	115	45	20	15	15	5	1	10	20	10
12	60	75	45	25	15	25	10	22	135	55	24	18	18	6	1	12	40	20
14	60	75	50	25	17	30	10	22	135	55	24	18	18	7	1.5	12	45	22.5
16	70	90	60	30	20	30	14	27	160	65	30	20	20	8	1.5	15	60	30
18	75	100	70	35	22	40	14	33	175	75	40	25	24	10	2.0	20	85	42.5
22	85	115	70	40	26	45	14	40	200	85	44	30	26	11	2.5	22	110	55
32	132	150	110	65	40	65	24	60	280	125	64	40	38	16	3.0	32	230	115

Note: Dimensions of sockets of nominal sizes 9, 11, 18, 20, 24, 26, 28, 36, & 40 to be included later on.